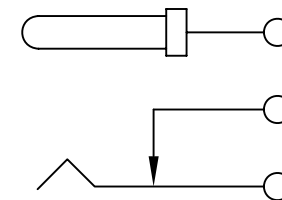
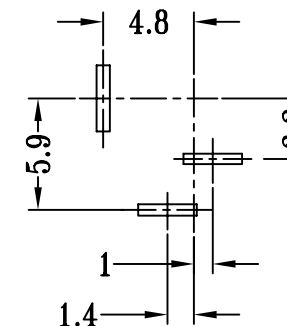
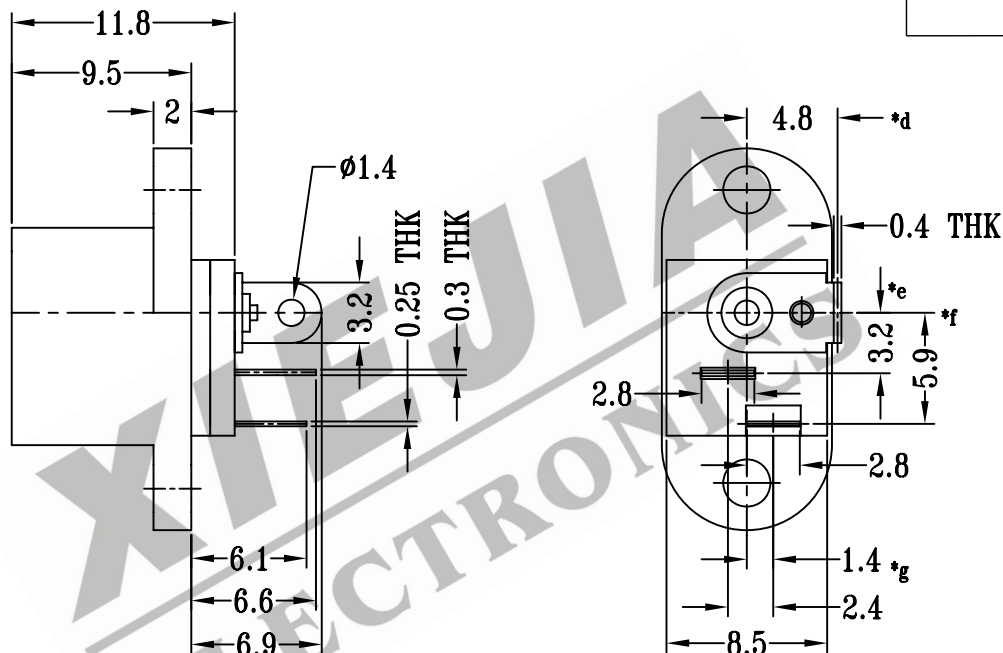
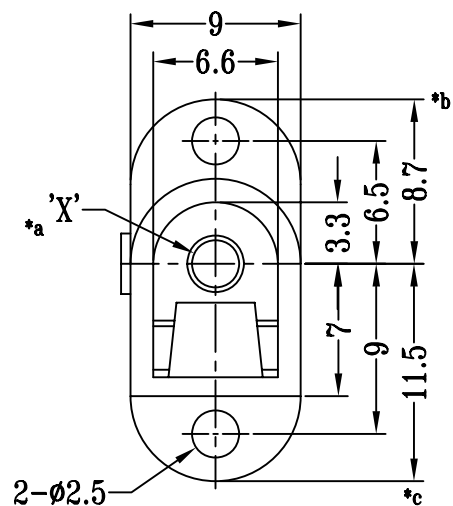


CAD FILE:



SCHEMATIC



P.C.B LAYOUT

DIA. OF PIN 'A'	=2.5mm
DIA. OF PIN 'B'	=2.0mm
DIA. OF PIN 'C'	=2.35mm
DIA. OF PIN 'G'	=3.0mm

注：“*”表示关键尺寸（7个）

NO.	PARTS	MATERIALS	Q'TY	FINISH	TOLERANCE UNLESS SPECIFIED	SHENZHEN XIEJIA ELECTRONICS CO.,LTD.					
8						TITLE : DC POWER JACK MODEL: DS-205 ALL MATERIALS MUST BE COMPLIANT TO ROHS					
7											
6	TERMINAL 1	BRASS STRIP	1	Ag PLATED OVER Ni PLATED	WITHIN: 1.5±0.1mm OVER : 1.5±0.2mm	ISSUE	DATE	DESCRIPTIONS OF REVISION		APPD.	
5	TERMINAL 2	BRASS STRIP	1	Ag PLATED OVER Ni PLATED							
4	SPRING TERMINAL	PBS STRIP	1	Ag PLATED OVER Ni PLATED							
3	COVER	PC	1	BLACK							
2	CASE	PC	1	BLACK							
1	PLUG PIN	BRASS	1	Ni PLATED							
								UNIT : mm	DRWG NO.:	XJ-DR-DS205-00	
								SCALE: 5:2	DWN.	ZHOUYU	2005-9-13
									CHK'D	FANGYING	2005-9-13
									APPD.	KANGXINAN	2005-9-13